



# Vandal

## VN1256LED 56 Watt LED Vandal



### SPECIFICATIONS:

**Lumens:** 4964  
**Watts:** 55.34  
**Lumens/Watt:** 89.7  
**CRI:** 75  
**CCT:** 3992  
**Lifespan:** 100,000+

#### Construction:

Rugged Traditional aluminum die cast housing provides proven environmental protection for LED modules. Traditional fixture designs provide a familiar look and standard installation requirements. Retaining this look allows the ability to upgrade fixtures gradually, while retaining the same overall fixture appearance throughout a facility. The smooth housing prevents debris build up and maximizes airflow over housing.

#### Glare Free:

Positioning of the LED modules within the housing result in light directed to desired locations and eliminates offensive light.

#### Lens:

Lens assembly is designed to provide high efficiency and to target the light where needed to satisfy outdoor lighting requirements.

Positioning of the LEDs (along with Patent Pending thermal management system) results in the light being directed to desired locations eliminating glare and offensive light.

#### Thermal Management:

Atlas' Patent Pending exclusive Thermal Stacking Technology System™ features a unique internal design that allows for lower operating temperatures which results in a brighter, whiter light, more stable color and longer LED and driver life.

#### Listings:

Luminaire is certified to cUL and CSA Standards for Wet Locations

Lighting Facts Certified

DesignLights Consortium qualified luminaire, eligible for rebates from DLC member utilities.

#### AC Input:

120/208/240/277 V

#### Driver:

Constant current, Class 2, 120-277 VAC, 50-60 Hz

High Efficiency – min. 86%

0 – 10 V dimming

#### LEDs:

4100K CCT

Delivers 70% or greater of initial lumens at 100,000 hours

Epoxy Guard™ protective conformal coated boards

Atlas LEDs provide higher lumen output, greater energy efficiency and more reliable fixture performance. They are tested and binned at 700mA which is the actual operating current used in Atlas LED luminaires, giving a better representation of actual performance.

#### Warranty:

Five-year limited warranty

#### Testing:

Atlas LED luminaires have been tested by an independent laboratory in accordance with IESNA LM-79 & LM-80, and have received the Department of Energy "Lighting Facts" label.

#### Installation:

Fixture retains the same knock-out sizes and positions as previous models, reducing wiring costs.

#### Weight:

7.25 lbs.

### Project Information

Job Name

Fixture Type 56 Watt LED Vandal

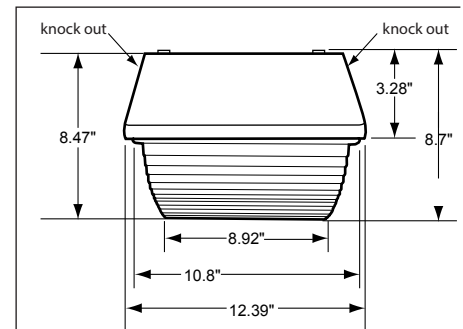
Catalog Number VN1256LED

Approved by



Patent Pending

### DIMENSIONS:



**Rebates and Incentives are available in many areas.  
 Contact an Atlas Representative for more information.**

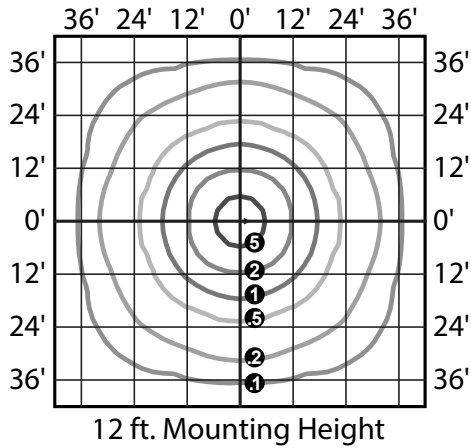
## ATLAS LIGHTING PRODUCTS, INC.

PO BOX 2348 | BURLINGTON, NC 27216

800-849-8485 | FAX: 336-227-0110 | www.atlaslightingproducts.com

Made in the USA of US and imported parts. Meets Buy American requirements within the ARRA.

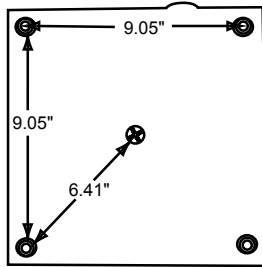
**PHOTOMETRIC**



**ENERGY SAVINGS**

LED		HID			ANNUAL SAVINGS
WATTAGE	ANNUAL COST	SOURCE WATTAGE	TOTAL WATTAGE USED	ANNUAL COST	
56	\$24	100	129	\$77	\$53
56	\$24	150	185	\$100	\$76
56	\$24	175	210	\$112	\$88

**MOUNTING DETAIL**



Atlas Lighting Products, Inc.

LED
lighting facts<sup>®</sup>

A Program of the U.S. DOE

---

<b>Light Output (Lumens)</b>	<b>4964</b>
<b>Watts</b>	<b>55.34</b>
<b>Lumens per Watt (Efficacy)</b>	<b>89.7</b>

---

<b>Color Accuracy</b>	<b>75</b>
Color Rendering Index (CRI)	

---

<b>Light Color</b>	<b>3992 (Bright White)</b>
Correlated Color Temperature (CCT)	

Warm White	Bright White	Daylight	
2700K	3000K	4500K	6500K

All results are according to IESNA LM-79-2008: *Approved Method for the Electrical and Photometric Testing of Solid-State Lighting*. The U.S. Department of Energy (DOE) verifies product test data and results.

Visit [www.lightingfacts.com](http://www.lightingfacts.com) for the *Label Reference Guide*.

Registration Number: PRB4-UN6TQ5 (8/12/2014)  
 Model Number: VN1256LED [Upgrade : 7/18/2014]  
 Type: Luminaire - Canopy